

NEW ISSUE 10 CATALOGUE UPDATE PAGES

www.carbuildersolutions.co.uk

VISIT OUR ONLINE SHOP

www.cbsonline.co.uk

As predicted, our new Issue 10 Catalogue was immediately out of date so here are the new products introduced after it was printed. These are incorporated in all subsequent downloadable catalogue issues.

ONLINE NEWSLETTER

Please subscribe to our FREE online newsletter with tricks, tips, industry news and details of our latest new products.

Sign up on www.carbuildersolutions.co.uk

UNIVERSAL JOINT #UJG For rod gear linkages. Back in stock - the longer version. **£28** (£32.90 inc vat)

NEOPRENE BOOT #UJGB **£7.50** (£8.81 inc vat)



FEMALE UNINSULATED SPADE #CRTFSU

6.5mm. Uninsulated.

£6 pack of 100 (£7.05 inc vat)



Q-BOND POWDER & ADHESIVE #QBPA Powder and adhesive bonding system for repairing almost anything. Simply pile a small amount of the powder around the proposed repair, drop a few droplets of the adhesive on it and almost instantly you'll have an immensely strong joint. Kit contains 2 x 10ml adhesive, 1 x Grey powder and 1 x Black powder. With full instructions. **£11** (£12.92 inc vat)



PRICE INCREASES

FUEL PUMP #FPUMP Now £68 + vat

STAMP SET #STAMP Now £12 + vat

FUEL CAP #AERO3B Now £96 + vat

FUEL CAP #MONCB Now £52 + vat

FUEL CAP #MONAL Now £54 + vat

Here are our very latest new products
UPDATED 20th March 2010

GAS TORCH #GASTOR Miniature Propane Gas blowlamp. Ideal for soldering, silver soldering, small brazing jobs and many other workshop tasks where an electric soldering iron is not quite hot enough. Fill up from cigarette lighter gas canister. Supplied empty. Length 195mm **£5** (£5.87 inc vat)



EPOXY PUTTY #EPOPOT This is brilliant stuff. Inside the tube is a sausage-size cylinder of soft putty. If you cut off a small chunk with a knife and mix it by rolling it around in your fingers it'll cure in minutes to a hard, waterproof shape that you can drill, sand and paint. Great for repairing manifolds, tanks, leaking pipes, radiators etc. Weight 57g. Container size 100mm x 25mm diameter. **£5** (£5.87 inc vat)



ZINC PAINT AEROSOL 400ml. Can be used as a primer on bare metal and welds. Helps keep corrosion at bay iron, piping, tanks, marine parts etc. Can be overpainted. (check compatibility first)

#PNZINC **£7** (£8.22 inc vat)

BITUMASTIC RUBBER UNDERSEAL 400ml. Gives a thick, waterproof, flexible, anti-chip and anti-corrosive coating on metal and glassfibre **#PNBIT** **£7** (£8.22 inc vat)



LEATHER GEAR GAITER #GRGT3

Superb quality. 240mm (9½") high. Velcro and lace top closure. Elasticated bottom measures 385mm (15") fully stretched, 220mm (¾") relaxed. Height can be 'concertina'd' for short levers.

£14 (£16.45 inc vat)



INTERIOR DIPPING MIRROR #MINT3 E11 marked. Self adhesive. Frame size 196mm x 65mm

£12 (£14.10 inc vat)



IVA BRAKE FLUID STICKER #BFSTICK
45mm diameter, self-adhesive as required by latest IVA regulations for your brake fluid reservoir **£1 each** (£1.17 inc vat)
(supplied without the CBS logo)



STAINLESS HEADLAMP MESH STONE GUARDS #HLMESH 173mm (6 7/8") diameter. Welded stainless ring and domed mesh. Six stainless mounting clips. **£15 pair** (£17.62 inc vat)



POLISHED STAINLESS HEADLAMP PEAKS #HLPEAK For 7" Headlamps. 4mm angled lip on rear and beaded front rim. **£15 pair** (£17.62 inc vat)



QUICK RELEASE STEERING WHEEL BOSS KIT #QRSW
Black anodised aluminium housing with a clever sprung release system. There is a front face plate (56mm dia.) with three M6 threads on a 45mm PCD to which you can bolt your own simple adapter plate to mount your particular steering wheel. The 25mm A/F, plated steel, hollow, hexagonal shaft adapter (I.D. 19mm) is welded to the top of your steering column. This snaps and locks into the hub. To release the adapter, just squeeze together the two hub flanges. **£65** (£76.37 inc vat)



3mm WHEEL SPACERS #WS3
5mm WHEEL SPACERS #WS5
Die-cast aluminium. 5mm thick x 152mm diameter. Universal fit for 4 and 5 stud wheels from 95mm PCD to 130mm PCD. **£12 pair** (£14.10 inc vat)



10mm WHEEL SPACERS #WS10 Die-cast and cnc'd aluminium. 10mm thick x 135mm diameter. Universal fit for 4 and 5 stud wheels from 98mm PCD to 115mm PCD. **£16 pair** (£18.80 inc vat)



ROUND REFLECTORS #RIVA1 IVA OK 65mm 8mm thick with self-adhesive backing pad. Radiused edge on black surround for IVA compliance. **£6 pair** (£7.05 inc vat)

RECTANGULAR REFLECTORS #RIVA2 IVA OK 102mm x 52mm 8mm thick with self-adhesive backing pad. Radiused edge on black surround for IVA compliance. **£6 pair** (£7.05 inc vat)



RETAINED BONNET PIN KIT #BPRETSS Polished pressed Stainless Steel plates, size 85mm (3 3/8") x 40mm (1 1/2") with plated steel sliding pin and ring. Adjustable 128mm (5") long plated steel 7/16" UNF threaded pins. **£8 pair** (£9.40 inc vat)



SPRUNG BONNET HOOK KIT #SPRHK Stainless Steel spring and hook 128mm (5") long. Plated steel retainer and M8 mounting bolts. For bonnet or boot retaining. **£8 pair** (£9.40 inc vat)



COMPACT TWIN TONE AIR HORNS #AIRHR2 If you have limited space available and still want Air Horns these may be the answer. Only 150mm x 112mm high x 92mm wide and weighing only 640 gms. Complete with relay, mounting hardware and full instructions. **£34** (£39.95 inc vat)



SMALL RUBBER HOOK KIT #SRUBHK Rubber Hook 64mm (2 1/2") long. Plated steel brackets, pin and split pin. For bonnet or boot retaining. **£5 pair** (£5.87 inc vat)



MAGNETIC TAX DISC HOLDER #TDMAG Attach the self-adhesive magnetic ring to the inside of your windscreen, hold your tax disc in the centre and slide the thin magnetic top plate in place. It couldn't be easier. **£3** (£3.52 inc vat)



Q-BOND SUPERGLUE #QBSG The ultimate superglue. We've used this for making and shortening rubber 'O' Rings with amazing success. **£5** (£5.87 inc vat)



SHAKEPROOF WASHER M4 - 30p, M5 - 35p, M6 - 40p, M8 - 60p, M10 - 80p All plus vat



RECTANGULAR VENT #VENT10 145mm x 52mm. Has a rocking insert with six rocking directional flaps. A knurled thumbwheel rotates the vent bank allowing full range of air flow. Snaps into a 122 x 49mm hole. Two 3mm countersunk mounting holes @ 126mm centres. Ideal for de-mist and-or dash. Can be fitted with #PLEN10 below.

£8.50 each (£9.98 inc vat)



PLENUM FOR RECTANGULAR VENT #PLEN10 147mm x 61mm x 49mm high. Can be snapped onto #VENT10 (as inset picture) and mounted in a 125 x 53mm hole. Will accept our 63mm duct hose. **£7.50 each** (£8.81 inc vat)



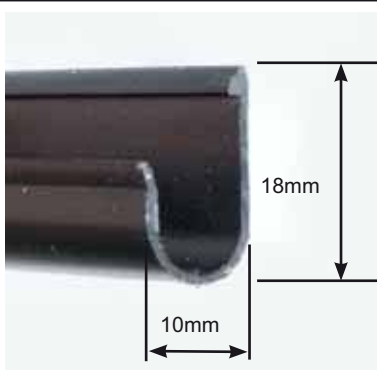
MOULDED BLACK PVC 'J' SECTION GUTTER TRIM #GUTTER

Will follow gentle roof curves. Easily cut and trimmed. 1mm wall thickness. 1800mm (6ft) lengths. Fix with 12mm Double-Sided Foam Tape. (available separately)

£6 each (£4.70 inc vat)

NOTE: Safe delivery will require packing to a wooden batten and courier shipping.

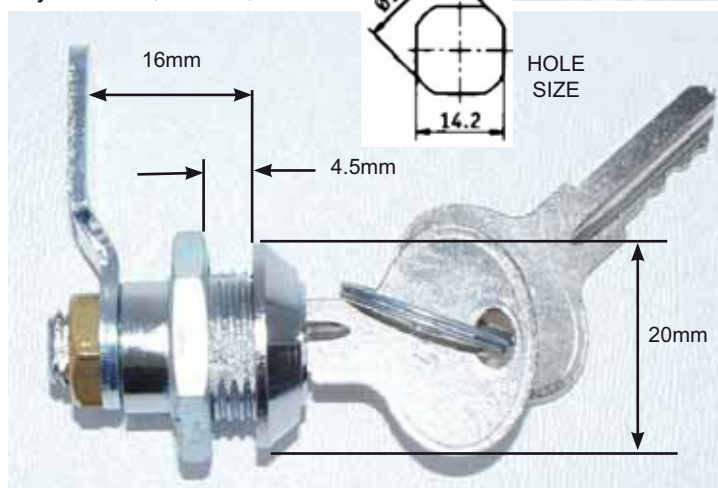
DOUBLE SIDED TAPE #DSTAP12 4 mtr roll of 12mm wide tape. Plenty for 2 lengths of gutter trim. **£3** (£3.52 inc vat)



GLOVE BOX LATCH #GBL IVAOK

Small latch for glove box lids, luggage compartments or even boot lids and bonnets. Maximum panel thickness 4.5mm. Supplied with two keys.

£7.50 (£8.81 inc vat)



HOSE FINISHERS Anodised aluminium with self-contained, hidden all-stainless hose clamps. Great for use with our stainless overbraid. Neatly hides the cut end of the overbraid and smartens up your engine bay. To determine correct size finisher, measure O.D of fitted hose and add 3mm to allow for the stainless overbraid.

COLOUR	INSIDE DIAMETER	PART NO:	PRICE
SILVER	37.5mm	#HFS37	£14 (£16.45 inc vat)
SILVER	30.5mm	#HFS30	£11 (£12.92 inc vat)
SILVER	25mm	#HFS25	£9 (£10.57 inc vat)
SILVER	21mm	#HFS21	£8 (£9.40 inc vat)
SILVER	17.5mm	#HFS17	£7 (£8.22 inc vat)
SILVER	16mm	#HFS16	£6 (£7.05 inc vat)
RED	37.5mm	#HFR37	£14 (£16.45 inc vat)
RED	30.5mm	#HFR30	£11 (£12.92 inc vat)
RED	25mm	#HFR25	£9 (£10.57 inc vat)
RED	21mm	#HFR21	£8 (£9.40 inc vat)
RED	17.5mm	#HFR17	£7 (£8.22 inc vat)
RED	16mm	#HFR16	£6 (£7.05 inc vat)
BLACK	37.5mm	#HFB37	£14 (£16.45 inc vat)
BLACK	30.5mm	#HFB30	£11 (£12.92 inc vat)
BLACK	25mm	#HFB25	£9 (£10.57 inc vat)
BLACK	21mm	#HFB21	£8 (£9.40 inc vat)
BLACK	17.5mm	#HFB17	£7 (£8.22 inc vat)
BLACK	16mm	#HFB16	£6 (£7.05 inc vat)



176mm DIAMETER STAINLESS CLIP #H76176

All Stainless Steel adjustable from 76mm to 176mm. Quick release. Ideal for silencer guards and heat shields. 12.5mm wide band. **£4** (£4.70 inc vat)



TOGGLE SWITCH BANK Moulded ABS facia with two counterbored 3mm mounting holes. Chromed steel switch guards. Illuminated 20 Amp, ON/OFF toggle switches with 1/4" spade terminals. LED's in the end of the stalk and chrome stalk covers.

TWO SWITCH RED LED 96mm x 50mm x 50mm

#SB2R £16 (£18.80 inc vat)

TWO SWITCH BLUE LED 96mm x 50mm x 50mm

#SB2B £16 (£18.80 inc vat)

THREE SWITCH RED 122mm x 50mm x 50mm

#SB3R £20 (£21.15 inc vat)

THREE SWITCH BLUE 122mm x 50mm x 50mm

#SB3B £20 (£21.15 inc vat)

FOUR SWITCH RED 149mm x 50mm x 50mm

#SB4R £22 (£25.85 inc vat)

FOUR SWITCH BLUE 149mm x 50mm x 50mm

#SB4B £22 (£25.85 inc vat)



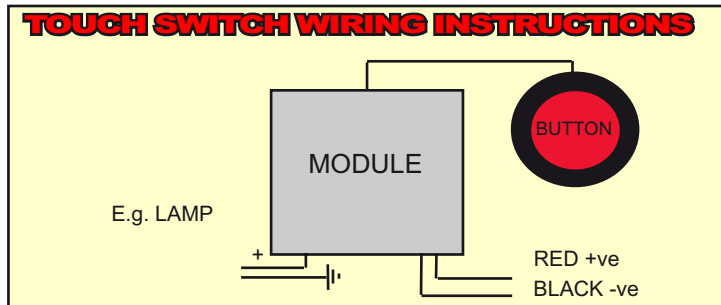
ILLUMINATED TOUCH SWITCH

A gentle touch on the switch will operate the remote relay to turn items on and off. The 22mm diameter ABS moulded switch fits in a 19mm hole. The 900mm long switch lead plugs directly into the relay module (53mm x 43mm x 28mm) which has 550mm long leads.



RED #TOSWR £18 (£21.15 inc vat)

GREEN #TOSWG £18 (£21.15 inc vat)



ROTARY BATTERY SWITCH #BSROT 500 Amp rating for 5 seconds. 100 amp continuous. M8 studs. Fits in 19.5mm hole. Plate secured through two 4mm holes. Knob diameter 35mm. Overall height 80mm.

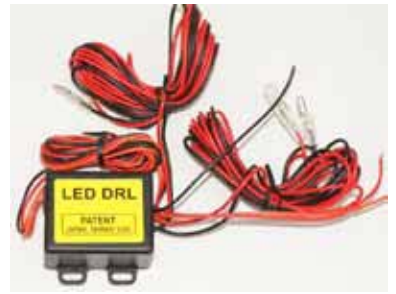
£18 (£21.15 inc vat)



LED AUTOMATIC DAYTIME RUNNING LIGHTS WIRING KIT #LEDDRL

IVA rules state that Daytime Running Lights must come on with the ignition and turn off when the headlamps are turned on. This module controls this function automatically for LED lights ONLY. Input leads 1 mtr long. Output leads (for two lamps) 1.7mtrs long with male and female bullet terminals.

£14 (£16.45 inc vat)



LED RUNNING LIGHTS #LEDRUN Eleven bright white LED's in each lamp. Simple wiring. Mounting bracket, screws and double sided adhesive pads included. Size 100mm x 30mm x 28mm front to back **£22** (£25.85 inc vat)



LED RUNNING LIGHTS KIT #LEDRUN2KIT A pair of 'E 13' marked lamps each with five mega-bright white LED's and a control module. Lamp size 145mm x 45mm x 50mm front to back . Each lamp has a swivelling mounting bracket and 200mm long fly-lead with connecting plug. The easy-to-wire control module

has 1mtr long leads for connecting to your headlamp supply, live feed and earth and two, 1mtr long sleeved connecting leads with plugs. Note: IVA rules state that Daytime Running Lights must come on with the ignition and turn off when the headlamps are turned on.

£68 (£79.90 inc vat)



BUDGET REAR FOG LAMP #FL7 'E3' Marked. Size 83mm x 74mm x 48mm 12V/21W. 2 mounting holes @ 55mm centres. Bulb included. **£5 each** (£5.87 inc vat)



WATERPROOF PLUG
#FLCAPPLUG with connectors for two wire sizes
£6 (£7.05 inc vat)



23mm DIAMETER WARNING LIGHT BANK #WL23BANK
 You won't miss these beauties when they come on. Bank of 6 in an aluminium panel measuring 167mm x 28mm. 2 mounting holes @ 152mm centres. 23mm diameter black bezel. Mount in a 20mm hole. Soon to be available separately with all legends. **£25** (£7.05 inc vat)



REMOTE ILLUMINATED PUSH BUTTON ENGINE START KIT #RPBENG 38mm diameter chrome bezel on aluminium bodied switch housing with 1.4mtr lead that mounts in a 30mm hole and plugs into the remote relay module. Module size 50mm x 50mm x 30mm has 500mm leads and can be fixed with double-sided tape and/or screws provided.
£30 (£35.25 inc vat)



OVAL LED ROCKER SWITCHES WITH SYMBOLS
£4 each (£4.70 inc vat)



ALL BLACK HORN SWITCH #PBSWBKH ABS 26mm dia. Fits 22mm hole. **£6** (£7.05 inc vat)

ALL BLACK WASHER SWITCH #PBSWBKW ABS 26mm dia. Fits 22mm hole. **£6** (£7.05 inc vat)

ALUMINIUM BODY & BEZEL HORN SWITCH #PBSWALIH
 25mm diameter. Fits 22mm hole.
£7.50 (£8.81 inc vat)

ALUMINIUM BODY & BEZEL WASHER SWITCH #PBSWALIW 25mm diameter. Fits 22mm hole.
£7.50 (£8.81 inc vat)



BLACK BEZEL INDICATORS
WASHER #WLSBKWAS
WIPER #WLSBKWIP
£3.50 (£4.11 inc vat)



ILLUMINATED ROCKER SWITCHES Bezel size 31mm x 15mm. Fits in a hole size 30mm x 12mm. ¼" Spade terminals. 12v. 20 Amp
RED #RS3115R £2.50 (£2.93 inc vat)
AMBER #RS3115A £2.50 (£2.93 inc vat)
BLUE #RS3115B £2.50 (£2.93 inc vat)
GREEN #RS3115G £2.50 (£2.93 inc vat)



RECTANGULAR WARNING LIGHTS Bezel size 31mm x 15mm. Fits in a hole size 30mm x 12mm. ¼" Spade terminals.
RED #RWLR £2.50 (£2.93 inc vat)
AMBER #RWLA £2.50 (£2.93 inc vat)
BLUE #RWLB £2.50 (£2.93 inc vat)
GREEN #RWLG £2.50 (£2.93 inc vat)



ROCKER SWITCHES Bezel size 31mm x 15mm. Fits in a hole size 30mm x 12mm. ¼" Spade terminals. 12v 16 Amp.
ON / OFF #RS31151 £2 (£2.35 inc vat)
ON / ON #RS31152 change-over. e.g main/dip beam **£2** (£2.35 inc vat)
ON / OFF / ON #RS31153 e.g Indicator **£2** (£2.35 inc vat)



SWITCH PANELS Moulded plastic switch panels for mounting under your dash or in a glove box etc. The modular versions can be joined together in banks using the clip supplied.
MODULAR RECTANGULAR HOLE SINGLE #SPREM
MODULAR ROUND HOLE SINGLE #SP1M 43 x 35 x 16mm
ROUND HOLE SINGLE #SP1 42 x 52 x 16mm
ROUND HOLE TWIN #SP2 42 x 52 x 16mm
RECTANGULAR HOLE SINGLE #SPRE1 42 x 52 x 16mm
RECTANGULAR HOLE TWIN #SPRE2 42 x 52 x 16mm
All £2 each (£2.35 inc vat)



UNIVERSAL AIR CONDITIONING KIT #AIRCON2 If you already have a heater and you just want to install Air Conditioning in your car, here's a compact yet powerful underdash package. Size 360mm x 290mm x 150mm - . Straightforward installation with our detailed instructions. Universal kit includes:

- Under-dash unit with double squirrel cage, three - speed fan, pre-fitted expansion valve and two rocking vane outlet vents on the front fascia.
- Remote fan speed and temperature control panel pre-wired to harness. Pre-assembled to mounting bracket or can be disassembled for through-the-dash mounting.
- Desiccant drier with Trinary safety/radiator fan switch.
- Complete set of hose unions, 'O' rings and charging/ service ports. (Hoses not included but we can supply)
- Mounting brackets, drain hose and fused power feed cable.

All this for only £285 (£334.87 inc vat)

NOTE: Installation requires engine- driven compressor and condensing radiator (possibly with cooling fan). Hose lengths can be determined and purchased after installation of components. See your local yellow pages for car Air Conditioning specialists who will charge and test the system for you.



FOUR OUTLET PLENUM #AIRCON2PL 350mm x 100mm x 35mm. This is a direct replacement for the standard outlet fascia on #AIRCON2. Four 63mm outlet spigots that accept our 'DCTHS63 perfectly. This plenum allows remote mounting of say, a face vent on each side of the dash and two vents at the base of the screen. **£15** (£17.62 inc vat)



STAINLESS TUBING BENDS 32mm & 38mm Outside Diameter, 1.4mm wall thickness. Nicely formed mandrel bends. Stainless grade 304.

32mm OD 90° BEND	#SB3290	£12	(£14.10 inc vat)
32mm OD 45° BEND	#SB3245	£11	(£12.92 inc vat)
32mm 135° BEND	#SB32135	£13	(£15.27 inc vat)
32mm 180° BEND	#SB32180	£14.50	(£17.03 inc vat)
38mm OD 90° BEND	#SB3890	£12	(£14.10 inc vat)
38mm OD 45° BEND	#SB3845	£11	(£12.92 inc vat)
38mm 135° BEND	#SB38135	£13	(£15.27 inc vat)
38mm 180° BEND	#SB38180	£14.50	(£17.03 inc vat)



DASH VENT #VENT11 Black ABS. 100mm square x 12mm thick surround. Rotating and flipping vent insert 72mm diameter. Insert can be removed and used alone in a 68mm diameter hole. Use our bulkhead flanges to connect ducting hose behind vent. **£7** (£8.22 inc vat)



WING MOUNT INDICATORS

#IN0012 GOLD with AMBER LENS

'E9' Marked. Surface mount, two bolt fixing. With 250mm wiring harness.

Size 92x52x33mm 12V/21W.

£5 pair (£5.87 inc vat)



BUDGET STALK INDICATOR

#SI002A 'E9' Marked. BLACK BODY, CLEAR LENS, AMBER BULB Basic stalk indicator, 12V/21W M8 mounting thread. 100mm x 40mm x 35mm.

£10 pair (£11.75 inc vat)



SMOKED AMBER LENS Replacement smoked lenses for all #SI002 indicators.

#SI002SL £1 pair (£1.75 inc vat)



MINI FUSE PACK

#MFUSPAK

10 assorted mini fuses between 4 Amps and 30 Amps **£1** (£1.17 inc vat)



WD40 #WD40

Handy size 125ml Aerosol (165mm High).

Supplied with 5" plastic nozzle extension. The classic moisture dispersant anti-corrosion lubricant.

£3 (£3.52 inc vat)



PROJECTOR FRONT FOG LAMP #HLPF Compact, modern lamp. 'E9' Marked 91mm diameter glass lenses. Die-cast alloy housings. Will fit from the rear through a 92mm hole in your mounting panel. Beam adjustment a ball-ended adjusting screw. Accepts standard H7 bulb (not included). Mounting plate diameter 116mm. Four hole fixing on a 104mm PCD. Front to back 88mm max. **£40 each** (£47 inc vat)



LED ALL-IN-ONE REAR LAMP WITH BUILT-IN REFLECTOR

#RL53 Yes, it's all built-in!! Super-bright Stop, Tail and Indicator and even a reflector. Fully IVA compliant. 125mm (5") diameter x 38mm (1") thick. Two M8 x17mm stainless fixing studs on rear @ 45mm centres - nuts and washers included. 'E9' marked. 400mm pre-wired, sleeved leads. Sealed for life housing. **£96 pair** (£112.80 inc vat)



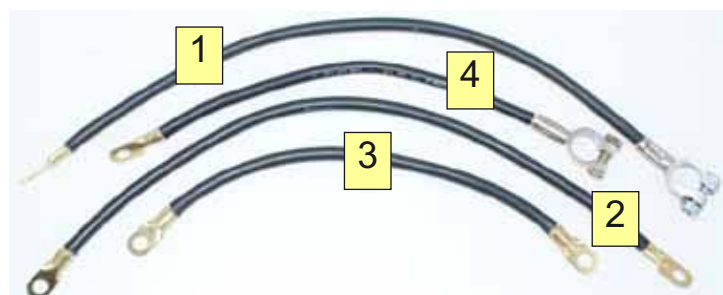
EARTH STRAPS 16mm² copper with PVC insulation. Brass 8mm ring terminals

1. 460mm (18") With 8mm ring terminal and battery terminal clamp #ESTRAP1 £4.50 (£5.28 inc vat)

2. 460mm (18") With two 8mm ring terminals. #ESTRAP2 £4 (£4.70 inc vat)

3. 300mm (12") With two 8mm ring terminals #ESTRAP3 £3 (£3.52 inc vat)

4. 460mm (12") With 8mm ring terminal and battery terminal clamp #ESTRAP4 £4.50 (£5.28 inc vat)



SLIMLINE LED THIRD BRAKE LIGHT #LEDSTOP RED

LENS 280mm (11¼") x 25mm (1") x 10mm (3/8") 'E'4 marked. 3 mtr pre-wired cable. Two concealed fixing holes at 246mm centres behind removable end caps.

£32 each (£37.60 inc vat)



LIFT-OFF HINGES Undrilled stainless lift-off hinges. Ideal for side-screens, access panels etc. Size 39mm x 39mm opened flat. Material thickness 1.4mm. Pin diameter 3.4mm. Already shiny but can be polished to chrome-like finish. May require a little deburring.

LEFT HAND #LIFTOFLH £7 pair (£8.22 inc vat)

RIGHT HAND #LIFTOFRH £7 pair (£8.22 inc vat)



GREAT QUALITY CARBON STEEL SOCKET SET.

#SKTSET Satin finish. Weight over 6Kg. Moulded Case.

1/2" Drive:

Reversible Ratchet Handle With Push Release
 18 Sockets: 10, 11, 12, 13, 14, 15, 16, 17, 18, 19, 20, 21, 22, 23, 24, 27, 30, 32mm. 4 Deep Sockets; 14, 15, 17 & 19mm
 2 Spark Plug Sockets; 16 & 21mm.
 2 Extension Bars: 5" & 10". 1 Sliding T Adaptor 3/8" (F) x 1/2" (M) Universal Joint. Allen Key Bits
 ; 8,10,12,14mm Phillips; 3 & 4mm Slotted: 8, 10, 12mm
 Torx Bits: T40, T45, T50, T55. Pozi: Numbers 3 & 4. 3 Allen Keys: 1.5, 2 & 2.5mm

1/4" Drive:

1 Reversible Ratchet Handle With Push Release
 13 Sockets: 4, 4.5, 5, 5.5, 6, 7, 8, 9, 10, 11, 12, 13 & 14mm. 8 Deep Sockets: 6, 7, 8, 9, 10, 11, 12 & 13mm.
 2 Extension Bars: 50mm & 10mm. 1 Sliding T-Bar. 1 Spinner Handle. 1 Universal Joint. 1 Flexible Extension Bar.
 17 Bits: Slotted - 4, 5.5, 7mm. Pozi Drives - Numbers 1 & 2.
 Allen Key Bits - 3, 4, 5 & 6mm. Phillips - Number's 1 & 2
 Torx bits - T8, T10, T15, T20, T25, T30.

ALL THIS FOR £40 (£47 inc vat)



BRASS UNION 3/8" UNF MALE to 7/16" UNF FEMALE

#BU38716 This union will fit the outlet of our master cylinders and allow the use of 6mm or 1/4" copper tube for clutch lines (with the union #BU71614) **£7.50** (£8.81 inc vat)



BRASS UNION 7/16" UNF MALE 1/4" ID #BU71614M

This union will fit our adapter #BU38716 and allow the use of 1/4" copper pipe. It will also fit the fluid inlet of our non-integral reservoir master cylinders. **£1.50** (£1.76 inc vat)



BRASS M10x1 BRAKE BULKHEAD UNION #BUBH

Supplied with brass M10x1 half nut. This is the union that joins your copper brake pipe to your flexible caliper hoses at a chassis bracket. Male flare on each end. Overall length 48mm. **£5.50 each** (£6.46 inc vat)



BRASS M10 FEMALE BRAKE UNION #BU10FB

For 3/16" (4.75mm) brake tubing. **60p each** (£0.70 inc vat)



ADJUSTABLE FAN THERMOSTAT #STAT Complete installation kit with full instructions. Can be fitted into the top hose - just pull off the hose, insert the probe and re-fit the hose with a little PTFE tape around the capillary, beneath the hose clip. The probe can even be clipped directly to your radiator fins. Alternatively you can purchase the 1/4" NPT threaded union for installation into our sender housing or your own radiator or stat housing. Operating range 5°C to 120°C. Temperature ON/OFF differential range 5°. **£24.50** (£28.78 inc vat)



BRASS UNION #BUSTAT **£4.50** (£5.28 inc vat)



FLUID RESERVOIR 2 CHAMBER #FLRES2 This, latest version now has the IVA symbol on the cap and a 500mm fly-lead and connector plug. Nylon reservoir. Perfect for dual circuit brakes with a single or twin master cylinders. Fluid level switch for IVA compliance. 2 x 8mm swivelling outlets. Size 125mm x 80mm x 100mm High. **IVA OK**



LED PEN TORCH #LED-PEN A bright white LED, two batteries, a pocket clip and an on/off switch on the end and only 145mm long. Great quality. **£10** (£11.75 inc vat)



FIRE EXTINGUISHER #FIREXRED For use on liquid and electrical fires. 280mm high x 60mm diameter. Contains 600g BC powder. Fire Test Rating 21B. BS 6165:2002. Discharge time 6 seconds. 2 to 3 metre discharge range. Mounting bracket included. Full weight 0.76 Kg.

£12.50 (£14.68 inc vat)



CROCODILE CLIP PACK #CROCPAK 28 Piece pack including uninsulated mini (40mm) to 30Amp charging clips (75mm) Red and Black insulated. Ideal for test equipment, lead lights and chargers.

£4 (£4.70 inc vat)



94mm LOCKING FUEL CAP ASSEMBLY FOR DIRECT TANK MOUNTING Fits through a 62mm hole. Fixing hole PCD 76mm. Cork gasket, Two keys and Stainless M5 fixing pack included.

SATIN BLACK #AERO5B **£75** (£88.12 inc vat)

SATIN ALUMINIUM #AERO5S **£75** (£88.12 inc vat)



BRASS MULTI-STRAND WIRE #BMSW Ideal for tethering fuel caps to comply with IVA requirements. (See hints and tips section) **£1.50 mtr**

(£1.76 inc vat)



RADIUS GAUGE

#RADGA Thirty precision male and female gauges in one handy tool. All the critical IVA radii between 1mm and 7mm.

£3.50 (£4.11 inc vat)



ZINC PLATED STEEL ANGLE BRACKETS Why bother making them when you can buy them for this price. All have 5mm holes countersunk on both sides.

ANGLE BRACKET 27mm x 27mm x 16mm x 1.5mm thick. #ABKT27

£2 pack of 4 (£2.35 inc vat)

ANGLE BRACKET 40mm x 40mm x 16mm x 1.5mm thick. #ABKT40

£2.50 pack of 4 (£2.93 inc vat)

ANGLE BRACKET 52mm x 52mm x 16mm x 1.5mm thick. #ABKT52

£3 pack of 4 (£3.52 inc vat)

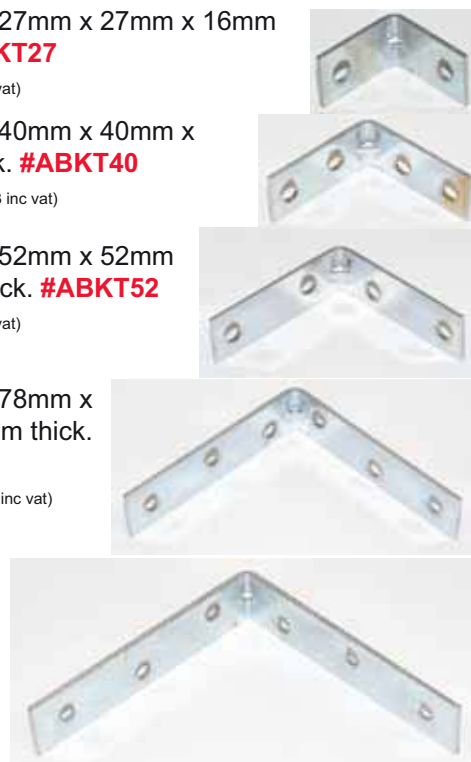
ANGLE BRACKET 78mm x 78mm x 19mm x 2mm thick. #ABKT78

£3.50 pack of 4 (£4.11 inc vat)

ANGLE BRACKET 102mm x 102mm x 22mm x 2.3mm thick. #ABKT102

£4 pack of 4

(£4.70 inc vat)



MIX & MATCH HOSE CONNECTORS

UNIVERSAL CONNECTORS Almost any combination of plumbing sizes can be achieved with our unique range. Manufactured from glass-reinforced nylon. Temperature range -40°C to +130°C (-40°F to +266°F). Maximum working pressure 6 bar (84 lb). Resistant to Coolant additives, Petrol, Diesel, Oil, LPG. Easy assembly with an 'O' ring and retaining clip. Simply choose the 'T' or 'Y' piece you require (e.g. #UCT25, 32 or 38 or #UCY), then your choice of hoesetails e.g. #UCH19, 22, 32 etc. Add the corresponding quantity of 'O' rings and Retaining clips and push it all together.

'T' PIECE

All 102mm long.

25mm #UCT25

£6 each (£7.05 inc vat)

32mm #UCT32

£7 each (£8.22 inc vat)

38mm #UCT38

£7.50 each

(£8.81 inc vat)



'Y' PIECE #UCY £7 each (£8.22 inc vat)



'O' RING Buy one per joint

#UCOR £1 each (£1.17 inc vat)

NOTE: A smear of oil or Vaseline will aid assembly.



RETAINER CLIP Buy one per joint

#UCRET £1 each (£1.17 inc vat)



8mm #UCH8

£3 each (£3.52 inc vat)



10mm #UCH10

£3 each (£3.52 inc vat)



12mm #UCH12

£3 each (£3.52 inc vat)



15mm #UCH15

£3 each (£3.52 inc vat)



19mm #UCH19

£3 each (£3.52 inc vat)



22mm #UCH22

£3 each (£3.52 inc vat)



25mm #UCH25

£3 each (£3.52 inc vat)



32mm #UCH32

£3 each (£3.52 inc vat)



M22 INSERT For Fan switch #UCM22

£5 each (£5.87 inc vat)



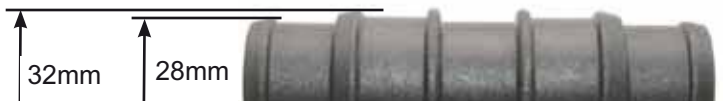
STEPPED 'T' PIECE Tough glass-reinforced nylon. Use as is or cut to the sizes you require.



#STP1 £5 each (£5.87 inc vat)



#STP2 £6 each (£7.05 inc vat)



#STP3 £7 each (£8.22 inc vat)

LETTER & NUMBER STAMP SET #STAMP

IVA rules require 7mm high letters on all chassis VIN numbers. This new set with full upper-case alphabet and 0-9 numbers complies. Nice quality. Suitable for Steel, Brass, Copper, Aluminium. Supplied in plastic storage boxes.

£12 (£14.10 inc vat)

If you're thinking of purchasing several items please consider ordering at the same time as this heavy item to save on shipping costs. (weight approx 2kg)



STEERING WHEEL #STW300 We only have a few of

these beauties and when they're gone - they're gone. Just 300mm diameter. Brushed aluminium frame with a sculptured and textured rim. Horn button with two 1/4" spade terminals. Aluminium horn surround with six M5 x 16mm stainless button head screws on a 70mm PCD.

£30 (£35.25 inc vat) (NOTE: We have no bosses but this is a common size and they are readily available).



ALUMINIUM MESH We've done a deal on some anodised aluminium mesh. Again, we only have a few and when they're gone they're gone. All are 1mtr x 300mm (39in x 11.8in) and packed in strong cardboard packaging.

NOTE: Courier delivery will be necessary.

RED ANODISED LARGE APERTURE ALUMINIUM MESH

#AMRL Diamond size 42mm x 13mm

£12 (£14.10 inc vat)

BLUE ANODISED LARGE APERTURE ALUMINIUM MESH

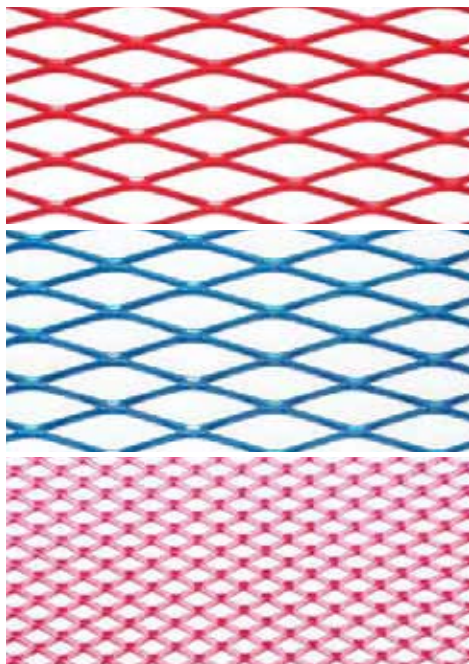
#AMBL Diamond size 42mm x 13mm

£12 (£14.10 inc vat)

RED ANODISED SMALL APERTURE ALUMINIUM MESH

#AMRS Diamond size 12mm x 7mm

£12 (£14.10 inc vat)



BLACK & RED HORNS PAIR #HORNSBR Budget priced 12 Volt High & Low Tone horns. Two terminals. Plated mounting brackets. Supplied with a relay and wiring instructions. Maximum dimensions 120mm x 90mm.

£8 pair (£9.40 inc vat)



PLUG-IN MAP LIGHT #MAPLT1 Overall length 310mm. Just plug it in to your cigarette lighter socket. Nice action goose-neck, bright, 12 volt Halogen bulb and on/off rocker switch on the rear of the lamp housing. Lamp housing size 40mm diameter x 60mm long.

£6 (£7.05 inc vat)



HARD-WIRED MAP LIGHT #MAPLT2 Overall length 590mm. Screw the base to your dash or kick-panel. Supplied with an additional clip for securing the goose-neck when not in use. Nice action goose-neck, bright, 12 volt halogen bulb and on/off rocker switch on the rear of the lamp housing. Lamp housing size 40mm diameter x 60mm long. 1100mm fly leads. **£7** (£8.81 inc vat)



KEY HOLDER #KEYHOLD

Superb quality, heavy brass body with satin silver plating. Six individual retained key rings which can each be released from the holder using the very clever locking mechanism.

£5 (£5.87 inc vat)



CAR DUSTER #CARDUST We've used these on our own toys for years whenever the car just has a few specks of dust but doesn't really need washing. This is the best one we've found. Total length 700mm. Brush length 500mm. Great value.

£7.50

(£8.81 inc vat)



NEW P CLIP SIZES

#P32SS £1.30 each

(£3.52 inc vat)

#P40SS £1.60 each



NEW SIZES

5 INCH HEADLAMP #HL5BK 5" (125mm) Diameter satin black powder-coated bowl. 4¼" (110mm) diameter lens. Main beam, dipped beam and sidelight. (NOTE: Lens gives flat dipped beam pattern which is MoT OK. 35watt/35 watt. Bulb and sidelight bulb included. Front to back dimension 95mm. M12 Mounting bolt with spherical seat. Overall height including mounting bolt 170mm. Great value.

£25 each (£29.37 inc vat)



NON RETURN WASHER VALVE

#WASHNRV One-way valve for screen washer tubing runs. Prevents drain-back in long tubing runs.

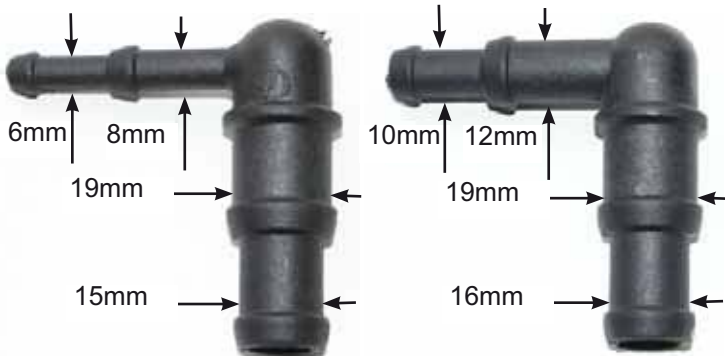
NOTE: Direction arrow moulded on centre band. **£3 each** (£3.52 inc vat)



STEPPED ELBOWS Tough glass-reinforced nylon. Use as is or cut to the sizes you require. OK for Coolant, Fuel, Oil LPG.

#SELB1 £5 each (£5.87 inc vat)

#SELB2 £5 each (£5.87 inc vat)



#SELB3 £6 each (£7.05 inc vat)

#SELB4 £6 each (£7.05 inc vat)



LED COMPACT REAR STOP / TAIL / INDICATOR #RL43

CLEAR LENS Only 133mm (5¼") x 37mm (1½") x 25mm (1") 'E'45 marked. 175mm pre-wired fly leads. Fixing kit of plug inserts and screws included. **£27 each** (£31.72 inc vat)



LED COMPACT REAR STOP / TAIL #RL52 RED LENS

Only 133mm (5¼") x 37mm (1½") x 25mm (1") 'E'45 marked. 175mm pre-wired fly leads. Fixing kit of plug inserts and screws included. **£20 each** (£23.50 inc vat)



LED COMPACT INDICATOR #RL49 AMBER LENS Only 133mm (5¼") x 37mm (1½") x 25mm (1") 'E'9 marked. Complies with ECE RoHS. 175mm pre-wired fly leads. Fixing kit of plug inserts and screws included. **£20 each** (£23.50 inc vat)



LED COMPACT REAR FOG #RL50 Only 133mm (5¼") x 37mm (1½") x 25mm (1") 'E'9 marked. Complies with ECE FO1. 175mm pre-wired fly leads. Fixing kit of plug inserts and screws included **£32** (£37.60 inc vat)



LED COMPACT REVERSE LAMP #RL51 Mega-bright white LED's. Only 133mm (5¼") x 37mm (1½") x 25mm (1") 'E'9 marked. 175mm pre-wired fly leads. Fixing kit of plug inserts and screws included.

£34 each (£39.95 inc vat)



AT LAST!! AN AFFORDABLE 'PROPER' CRIMPING TOOL

#CRPTL2 This compact tool will crimp all small, non-insulated terminal types including industrial and aviation quality 'F' crimp open barrel and spade terminals. Precision ground, hardened steel jaws that roll the terminal flags, binding them tightly into the cable and insulation. Spring return jaws and integral wire cutter. 185mm long. **£15** (£5.87 inc vat)



NEW STEPPED HOLE CUTTERS

Excellent quality. Cut clean neat accurate holes in GRP Aluminium & Steel. Titanium coated. Note: A little light oil will make a cleaner cut and prolong the life of the cutting edge.



SINGLES

- METRIC 4mm to 12mm (2mm steps) #STEP9 £6** (£7.05 inc vat)
- METRIC 4mm to 12mm (1mm steps) #STEP5 £8** (£9.40 inc vat)
- METRIC 4mm to 20mm (2mm steps) #STEP10 £8** (£9.40 inc vat)
- METRIC 4mm to 22mm (2mm steps) #STEP4 £10** (£11.75 inc vat)
- METRIC 4mm to 30mm (2mm steps) #STEP6 £16** (£18.80 inc vat)
- IMPERIAL 1/8" to 1/2" (1/32" steps) #STEP7 £6** (£7.05 inc vat)
- IMPERIAL 3/16" to 1/2" (1/16" steps) #STEP8 £6** (£7.05 inc vat)
- IMPERIAL 3/16" to 7/8" (1/16" steps) #STEP3 £10** (£11.75 inc vat)

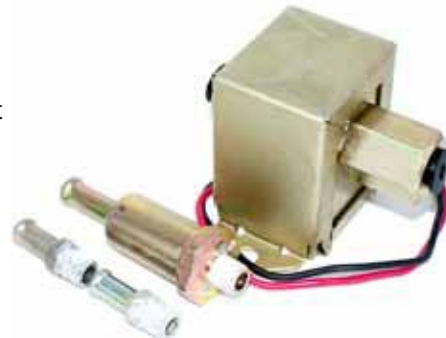
THREE PIECE SETS

- METRIC 4mm to 32mm #STEPM £28** (£32.90 inc vat)
- IMPERIAL 3/16" to 3/4" #STEPI £18** (£21.15 inc vat)



NEW FUEL PUMPS Three great value fuel pumps for carburettor engines. Suitable for petrol, diesel and alcohol fuels with all additives. All have a built in anti-siphon and anti drain-back valves. Simple two bolt installation. All supplied with 8mm hose tail unions. For best results mount as close to the fuel tank as possible below the fuel level and always use a filter between the tank and pump. Rubber mountings are recommended (see our mounts section).

ELECTRONIC FUEL PUMP #FPUMP2 Great value. Reliable solid state internals, no electrical contacts to burn out, no bearings to wear and no diaphragms to perish. 12 volt. Less than 2 amp current drain. Will pump from 1.5 psi to 4.5 psi. Flow rate 100 ltrs/hour (21 gal/hr.) Will self prime up to 0.3mtrs lift. Footprint 80mm x 80mm x 60mm high (without unions). 2 bolt fixing at 65mm centres. Supplied with 2 x 8mm hosetail unions and one filter union. Union thread size 1/8" npt. Weight 469gm.



£25 each (£29.37 inc vat)

ELECTRONIC FUEL PUMP #FPUMP3 Great value. Sealed, reliable solid state internals. 12 volt. Requires separate earth connection to pump body via fixing bolt. Less than 2 amp current drain. Will pump from 1.5 psi to 4.5 psi. Flow rate 100 ltrs/hour (21 gal/hr.) Will self prime up to 0.6mtrs lift. Footprint 140mm x 82mm x 85mm high (without unions). 2 bolt fixing at 65mm centres. Supplied with 2 x 8mm hosetail unions. Union thread size 1/8" npt. Weight 690gm. Removable, washable internal nylon filter.



£39 each (£45.82 inc vat)

ELECTRONIC FUEL PUMP #FPUMP4 Great value. Sealed, reliable solid state internals. 12 volt. Requires separate earth connection to pump body via fixing bolt. Less than 2 amp current drain. Will pump from 2 to 7.5. Flow rate 300 ltrs/hour (38 gal/hr.) Will self prime up to 1 mtr lift. Footprint 140mm x 82mm x 85mm high (without unions). 2 bolt fixing at 65mm centres. Supplied with 2 x 8mm hosetail unions. Union thread size 1/4" npt. Weight 760gm. Removable, washable internal nylon filter.



£50 each (£58.75 inc vat)

INTERIOR MIRROR ADHESIVE #MINTAD

Tough Acrylic adhesive with Primer and full instructions. Cures in 1 to 2 minutes. Strong bond in 10 minutes.

£3 (£3.52 inc vat)



HEAVY DUTY BONNET PIN KIT #BPRC2 Chrome plated M12 x 1 steel threaded pins, each with two locknuts. Plated retaining pins with plastic-coated stainless wire ties. Polished stainless bonnet plates 64mm diameter with four 4mm holes on 53mm PCD. **£8.50** (£9.98 inc vat)



MOUNTING FRAMES FOR APLED LAMPS Moulded white Acrylic. Spaces the lamp for surface mounting. Just drill small holes for the fixings and wires.

17mm deep for 145mm lamp #APLEDF1 £3 (£3.52 inc vat)

10mm deep for 90mm lamp #APLEDF2 £4 (£4.70 inc vat)



RACE STYLE STALK MIRROR 190mm maximum length corner to end of stalk. Moulded plastic body size 116mm x 58mm x 52mm front to back. Convex glass size 110mm x 50mm. Aluminium stem with spherical swivel and M6 threaded fixing stud. Not handed - suitable for left or right mounting.

SATIN BLACK #M18BK £17 each (£17.62 inc vat)

CARBON EFFECT #M18CA £17 each (£19.97 inc vat)



INTERIOR MIRROR SINGLE STUD MOUNTING

Satin black moulded plastic body size 116mm x 58mm x 52mm front to back. Glass size 110mm x 50mm. Aluminium stem with spherical swivel. Available either as standard or with rubber edge (IVA OK.)

1. 138mm (from dash top to top of housing.) Spherical swivel stem base and angled mount. Single M6 threaded stud base fixing.

STANDARD #MINTR1 £18 each (£21.15 inc vat)

IVA OK #MINTR2 £25 each (£29.37 inc vat)

2. 120mm (from dash top to top of housing.) Fixed stem with single M5 stud base fixing.

STANDARD #MINTR3 £17 each (£19.97 inc vat)

IVA OK #MINTR4 £24 each (£28.20 inc vat)



INTERIOR MIRROR WITH DISC BASE 135mm overall height. Moulded plastic body size 116mm x 58mm x 52mm front to back. Convex glass size 110mm x 50mm. Aluminium stem with spherical swivel and 45mm diameter base with 3 5mm fixing holes on a 38mm PCD. Two versions available as standard (shown below) or with rubber edge (IVA OK.)

SATIN BLACK #M5BK £15 each (£17.62 inc vat)

SATIN BLACK IVAOK #M5BKIVA £22 each (£25.85 inc vat)

CARBON EFFECT #M5CA £17 each (£19.97 inc vat)

CARBON EFFECT IVAOK #M5CAIVA £24 each (£28.20 inc vat)



OIL CATCH TANKS Two new, fabricated and beautifully TiG welded Aluminium oil catch tanks. Supplied with a vented cap, two 13mm OD brass unions with 'O' ring seals, sight gauge, drain plug with rubber seal and two blanking plugs. You can swap the position of the sight gauge and unions to suit your installation. 6mm mounting holes at 151mm centres. Two sizes:

SMALL #OCT150 1 Litre capacity. Maximum dimensions: 180mm wide x 150 high x 85mm front to back **£86** (£101.05 inc vat)

LARGE #OCT250 2 Litre capacity. Maximum dimensions: 180mm wide x 250 high x 85mm front to back **£98** (£115.15 inc vat)



NEW MIRRORS COMING SOON



COMING
SOON



COMING SOON!! AN EVEN BETTER, AFFORDABLE 'PROPER' CRIMPING TOOL #CRPTL3

We are able to sell this superb tool at half the price of other suppliers and even throw in 180 assorted spade and bullet terminals and plastic storage case. It will crimp all industrial quality 'F' crimp open barrel spade and receptacle terminals between 0.5mm² and 6mm². The jaws are hardened steel and the geared, ratchet action makes light work of even the heaviest crimp. Crimping pressure is adjustable and the jaws will only open when the pre-set crimp pressure is achieved, giving consistent crimp quality. However, for one-off or unusual sizes, the full crimp and release function can be disengaged for full manual control of the crimp pressure. The tool also includes a set of very clever, moulded jigs that locate along-side the jaws to help you make a perfectly aligned crimp.

Terminal selection includes:

30 x 3mm (1/8") Male spades & 30 x Female spades,
30 x 6mm (1/4") Male spades and 30 x Female spades,
30 x 4mm Male bullet and 30 x Female bullet.

£38 (£44.65 inc vat)



COMING
SOON

LOCKING TYRE DUSTCAPS Aluminium with a rubber seal inside and a tiny grub screw to lock them in place. Supplied with a watchmakers screwdriver to keep on your glovebox. NOTE: Always fit with a smear of grease on the threads.

SATIN BLACK #DCLBK £4 (£4.70 inc vat)

NATURAL ALUMINIUM #DCLAL £4 (£4.70 inc vat)



BLACK TAX DISC HOLDER

#TDBK Aluminium with stainless fixings. Waterproof with a clear plastic lens. **£10** (£11.75 inc vat)



FIRE EXTINGUISHER We all know how quickly a glassfibre car can turn to a pile of ashes by the roadside. Our dry Powder extinguisher could be your best investment. 60mm diameter x 300mm long. Weight 0.7kg. Single use for small liquid, solid and electrical fires. Powder-coated, snap-in wire mounting bracket included. Fire test rating 13B.

Class A B C type.

BLUE #FIREX £15 (£17.62 inc vat)

BLACK #FIREXBK £15 (£17.62 inc vat)

WIRING CONNECTOR PLUG for 'Modern rear lights'

#RL17. #RL18 & #RL20:

2 PIN #PLUG2 3 PIN (stop & tail) #PLUG3

£3 each (£3.52 inc vat)



SECURON SEAT BELTS

SECURON MULTI-ANGLE RETRACTABLE 3 point mounting. The automatic retractor can be adusted to operate at any angle. NOTE: These belts do not have a 'B' post-mounted belt guide. All bolts and brackets included. Total belt length 2.4mtrs. 'E' marked. Two-button release on stalk.

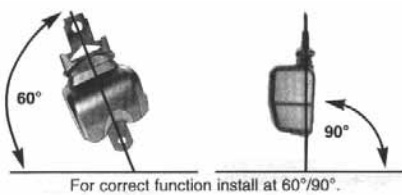
LONG STALK (300mm) #SECM5L £48 each (£56.40 inc vat)

SHORT STALK (150mm) #SECM5S £46 each (£54.05 inc vat)



SECURON RETRACTABLE LAP BELT #SECLR 2 point mounting. Automatic retractor for single hand operation. All bolts and brackets included. Total belt length 1.1 mtrs. 'E' marked. Two-button release on 150mm stalk.

£26 each (£30.55 inc vat)



INTERIOR LIGHT #INTLT 45mm x 100mm x 20mm deep.

Rock the lens to turn on or can be controlled with door switches. Just cut a hole 87mm x 29mm, install the frame and press in the light. 7 Watt festoon bulb included. **£12** (£14.10 inc vat)



SPORT HARNESSSES

3 POINT #H3PTS 'E' 4 marked. Shoulder straps join for single point mounting. Bolt-in fixing. Single button release. Shoulder straps maximum length 165cm. Waist straps maximum length 60cm (each side). **£35** (£41.12 inc vat)

4 POINT #H4PTS 'E' 4 marked. Bolt-in fixing. Single button release. Shoulder straps maximum length 165cm. Waist straps maximum length 60cm (each side). **£35** (£41.12 inc vat)



BRAKE PIPE IN-LINE CONNECTOR #BUC12M
Brass M12 x 1mm

£3 (£3.52 inc vat)

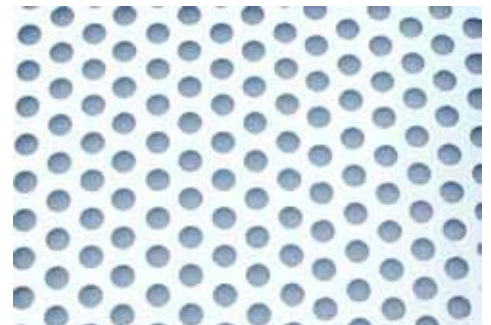


ALUMINIUM GRILLE& MESH Packed in strong cardboard packaging but courier delivery will be necessary.

ALUMINIUM GRILLE #ALIGRIL

Natural anodised finish aluminium. Size 1mtr x 330mm (39" x 13"). 1mm thick perforated with 4.8mm (3/16") holes.

£15 (£17.62 inc vat)



ALUMINIUM MESH Anodised Satin Black #AMBK

Expanded mesh sheet Size 1mtr x 330mm (39" x 13"). Aperture size 18mm x 6mm

£15 (£17.62 inc vat)



WIRING MODULE COVER #WMCOV At last - a tough, vacuum-formed ABS cover for our wiring module. Fits neatly over the module to provide dust and splash protection. Can be made more weathertight by fixing our #TRMRIB2 around the mating flange. Can be secured with Velcro strips, drilling holes around the flange and fixing with screws into rivnuts in your panel. Size: 200 x 200 x 75mm. **£18** (£21.15 inc vat)



CABLE REPAIR KIT #CRKIT Includes:

- 1.6mtrs of 1.5mm diameter bowden cable with a 3.5mm to 6mm stepped nipple on one end.
- 1.6 mtre of 1.1mm diameter bowden cable with a 3mm nipple on one end.
- 1 x 10mm dia. x 20mm solderless nipple.
- 1 x 8mm dia. x 12mm solderless nipple
- 1x 5mm dia. x 8mm solderless nipple
- 1 x 8mm dia. x 14mm solderless nipple with sleeve and nut.
- 1 x 7.8mm dia. x 9mm horizontal barrel nipple for 1.5mm dia. cable above.
- 1 x 7.8mm x 15mm shouldered horizontal nipple for 1.5mm dia. cable above.
- 1 x 3.5mm to 6mm brass steed sleeve nipple for 1.1mm cable above.
- 1x Storage tin for all parts above

£8 (£9.40 inc vat)



3 PIN FLASHER RELAY #FRLY3P Three 1/4" spade terminals. One pin is an output for a dashboard warning light so you can use just a single, twin arrow warning light. 47 watt maximum. **£4.50 each** (£5.28 inc vat)



TERMINALS

- X** - +12 volt input
- L** - Load (Bulbs)
- P** - Dash indicator lamp

BLACK SELF-TAPPERS

No.6 x 1/2" (3.5mm dia) **#612BKST** **£2.50** (£2.93 inc vat)

No.8 x 1/2" (4.1 mm dia) **#812BKST** **£2.50** (£2.93 inc vat)

No.10 x 1/2" (4.7 mm dia) **#1012BKST** **£2.50** (£2.93 inc vat)

No.6 x 3/4" (3.5mm dia) **#634BKST** **£2.50** (£2.93 inc vat)

No.8 x 3/4" (4.1 mm dia) **#834BKST** **£2.50** (£2.93 inc vat)

No.10 x 3/4" (4.7 mm dia) **#1034BKST** **£2.50** (£2.93 inc vat)

ALL FLANGED DOME HEAD POZI IN PACKS OF 50



HAZARD RELAY 4 PIN

#HRLY10 Four 1/4" spade terminals in non-standard pattern. 98 watt maximum load.

£12 (£14.10 inc vat)



LOCKING WIRE DRUM

#LOCKW2 127 Metres of 0.7mm stainless steel locking wire on a moulded drum.

£20 (£23.50 inc vat)



STAINLESS STEPPED EXHAUST JOINER #SEJ10

140mm long. 1.0mm wall thickness.

DIAMETERS: 50.4mm (2"), 55mm (2.17"), 60mm (2.36"), 65mm (2.56"), 70mm (2.75"). £18 (£21.15 inc vat)



FLOAT SWITCH #FLSW

This little switch may save an expensive engine rebuild by warning you if your coolant level has dropped unexpectedly. Just make a 19mm hole in your header or expansion tank and insert the float switch and the soft silicone seal. Tighten the nut until the silicone expands, sealing the hole and locking the switch in position. Connect to a live supply and warning light. Can be rotated 180° for high level warning if required.

Glass reinforced nylon construction.

350mm fly leads.

Operating temperature up to 110°C.

Operating pressure 4 bar.

Magnetic reed switch contacts 1 amp rating. **£10** (£11.70 inc vat)



ALUMINIUM AIR CON RECEIVER / DRIER #DRIERAL

#6 'O' Ring fittings. Sight glass in top. Beautifully Tig welded construction. If you want to smarten up your engine bay you can polish this drier to a mirror finish.

£25 (£29.37 inc vat)



LOCKING TYRE DUSTCAPS Aluminium with a rubber seal inside and a tiny grub screw to lock them in place. Supplied with a watchmakers screwdriver to keep on your glovebox. NOTE: Always fit with a smear of grease on the threads.

SATIN BLACK #DCLBK £4 (£4.70 inc vat)

NATURAL ALUMINIUM #DCLAL £4 (£4.70 inc vat)



RED 'T' HANDLE RELEASE CABLE #RTCAB

RAC trackday rules now dictate that battery cut-off switches must be mounted inside the vehicle, away from body panels and must be able to be remotely disconnected with a Red 'T' pull cable on the outside of the vehicle. Here's the solution. Just make a simple bracket that will fit on the switch and locate the cable adjuster (supplied). Secure the inner cable to the key with the solderless nipple supplied. Can also be used for bonnet and boot release.

Removable red 'T' handle.

3.7mtr Outer cable mounts through a 10mm hole.

4 mtr multi-strand bowden cable inner.

Supplied with M6 cable adjuster, Cable ferrule, solderless nipple and cutting template for you to make your own mounting bracket. **£16** (£18.80 inc vat)



SOLDERLESS NIPPLE #SLNIP3

NIPPLE: 8mm diameter x 9mm long.

SCREW: Slotted M6 x 10mm long.

HOLE: 3mm **£2.50 each** (£2.93 inc vat)



ELECTRIC WATERPUMPS Many custom engine installations can benefit from replacing the standard belt-driven water pump with an electric water pump. An electric pump can offer constant and improved cooling, especially when your engine returns to idle after a thrash around the track or a long motorway run. A belt driven pump slows down along with engine speed but an electric pump will work at full-flow when your engine needs it most. Maintaining optimum engine temperature will also benefit engine power and fuel economy.

These comprehensive kits are easy to fit and contain all the components and full instructions for almost any installation.

PUMP ONLY (80 ltrs per minute) #EWP80 For engines up to 5 ltrs. Flow rate of 80 ltrs per minute. Can be continuous running, especially in race cars and hot climates or can be controlled with the controller #EWPCON1 or any other thermal switch. Pack contains:

- 1 x Electric pump, 1 x Wiring harness
- 1 x 35mm OD Straight inlet, 1 x 34mm OD Angled inlet
- 2 x 35mm to 41mm hose adapters
- 2 x 35mm to 50mm hose adapters
- Pack of hose clips, 'O' rings, relay and fixings.

£129 (£151.57 inc vat)



CONTROLLER ONLY for PUMP AND FAN #EWPCON1

This is a cockpit-mounted, digital module that will control an electric water pump and an electric cooling fan (via a relay - not supplied). It is supplied with an in-line sensor housing to fit into your top hose and a temperature sensor which screws into the housing. Pack contains:

- 1 x Electronic controller, 1 x Temperature sensor
- 1 x 35mm OD hose joiner
- 2 x 35mm to 41mm hose reducers
- 1 x Wiring harness, 1 x remote LED indicator
- Pack of hose clips, 'and fixings.

£129 (£151.57 inc vat)



PUMP (115 Litres per min.) AND CONTROLLER KIT

#EWP115KIT For engines up to 7 ltrs. Flow rate of 115 ltrs per minute. Pack contains:

- 1 x Electric pump with 38mm inlet and outlet
- 4 x 35mm to 41mm hose adapters
- 1 x Electronic controller, 1 x Temperature sensor
- 1 x 35mm OD hose joiner
- 1 x Wiring harness, 1 x remote LED indicator
- Pack of hose clips, 'O' rings, relay and fixings.

£275 (£323.12 inc vat)



NOTE: AN ELECTRIC WATER PUMP WILL NOT CURE AN OVERHEATING PROBLEM IF THE ENGINE IS NOT RUNNING CORRECTLY OR THE RADIATOR IS TOO SMALL OR HAS INSUFFICIENT AIR FLOW

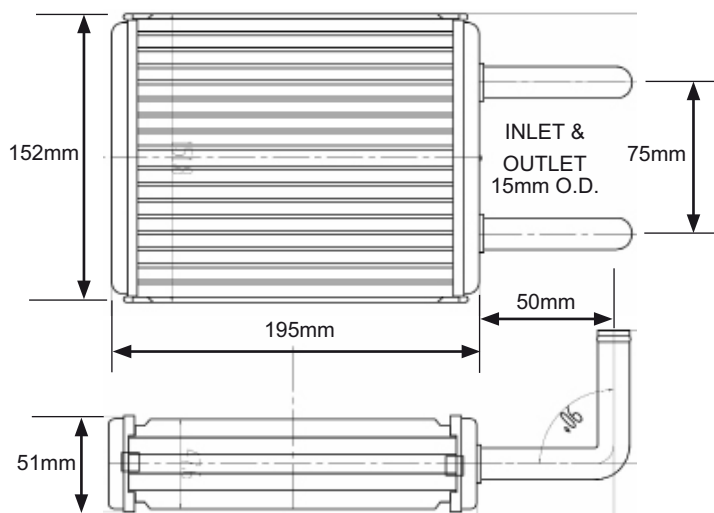
COMING SOON - HEATER MATRIX AND FAN KIT Are you struggling to find a small heater the right size and shape to fit your car. Why not make your own? Our heater matrix and fan kit comes complete with fully detailed instructions and drawings with pictures showing you how to fabricate your own casing.

MATRIX: Copper core with 15mm inlet and outlet
 FAN: Single squirrel cage. 2600 R.P.M. 12 volt. 5 Amp. 178mm x 179mm x 100mm wide. Outlet 66 mm x 88mm.

MATRIX AND FAN #MFKIT £58 (£68.15 inc vat)

MATRIX ONLY #MATRIX £40 (£47.00 inc vat)

FAN ONLY #SCFAN £28 (£32.90 inc vat)



COMING SOON

ALL IN ONE DIGITAL INSTRUMENT Can be mounted in your dash or with bracket mount supplied. Installation and set-up instructions included.

SPEEDOMETER, ODOMETER, TRIP METER, SPEED WARNING LIGHT, TOP SPEED RECORDING, TACHOMETER, SHIFT LIGHT, PRE-SHIFT LIGHT, MAX RPM RECORD, RPM INPUT PULSE, THERMOMETER, DIGITAL THERMOMETER (Water & Oil), LEVEL THERMOMETER (Water & Oil), OVERHEAT WARNING LIGHT (Water & Oil), TOP TEMPERATURE RECORD, FUEL METER, LOW FUEL WARNING, CLOCK, PERPETUAL CALENDAR, TARGET SPEED TIMER, TARGET DISTANCE TIMER, TOP SPEED TIMER, VOLTAGE, AMBIENT WORKING TEMP, -METER SIZE 135.7mm x 100mm x 52mm. Main dial size 80mm.

METER WEIGHT Approx 240g

WARNING LIGHTS Neutral - Green, High Beam - Blue, Turn signal - Green, Engine management - Amber.

Oil - Red, Speeding - Red, RPM shift light - Yellow/Red
Full details in our online catalogue.

0- 10K RPM #DM5 £245 each (£287.88 inc vat)

0- 20K RPM #DM4 £245 each (£287.88 inc vat)



COMPACT ALL IN ONE DIGITAL INSTRUMENT #DM6

Smaller version with slightly fewer functions than it's big brother. Can be mounted in your dash or with bracket mount supplied. Installation and set-up instructions included.

METER SIZE 152 x 80 x 52mm. Main dial size 60mm.

METER WEIGHT Approx 200g

WARNING LIGHTS Neutral - Green, High Beam - Blue, Turn signal - Green, Engine management - Amber.

Oil - Red.

£195 each (£229.12 inc vat)

Full details in our online catalogue.



DIGITAL SPEEDOMETER #DMSPEED

65mm diameter chrome bezel, 55mm diameter x 35mm deep chrome housing. Can be fitted in your dash or with the optional single bolt, rubber mounted bracket (included).

Blue digital display.

RADIAL BAR GRAPH DISPLAY, DIGITAL DISPLAY,

ODOMETER, TRIP METER, TOP SPEED

RECORDING,

AVERAGE SPEED,

FUEL GAUGE,

12 volt. Weight 190g.

Includes wiring, Speedometer sensor, magnets and sensor mounting brackets, gauge mounting hardware and

full instructions. **Full details in our online catalogue.**

£105 (£123.37 inc vat)



DIGITAL TACHOMETER #DMTACH

65mm diameter chrome bezel, 55mm diameter x 35mm deep chrome housing. Can be fitted in your dash or with the optional single bolt, rubber mounted bracket (included).

Blue digital display.

RADIAL BAR GRAPH DISPLAY selectable 0 - 10,000 / 15,000 / 20,000 rpm.

DIGITAL DISPLAY 0 - 20,000 rpm in units of 100 rpm.

DIGITAL THERMOMETER 'A' Range 0 - 250°C (32 - 482°F)

DIGITAL THERMOMETER 'B' Range 0 - 250°C (32 - 482°F)

CLOCK 24 hour

12 volt. Weight 190g.

Includes wiring, temperature sensors, mounting hardware. Full instructions included.

£105 (£123.37 inc vat)



WARNING LIGHT

CLUSTER #WLC52

52mm diameter stainless bezel, 48mm diameter, 50mm deep stainless housing. Can be fitted in your dash or with the optional single bolt mounting bracket (included).

Four independently wired, 2 watt warning lamps on 300mm fly-leads. 12 volt. Weight 80g. Black face when unlit.

£42 (£49.35 inc vat)



SMALL BATTERY CABLE

Suitable for small and bike engined vehicles. 8mm O.D. 16mm² copper. 206/0.3 strands. 110 Amps.

RED #BCSR £5 mtr (£5.87 inc vat)

BLACK #BCSB £5 mtr (£5.87 inc vat)



M5 NUT & BOLT PACK #N&BPAK5 440 PIECES Plain nuts, plain washers & Hex head set screws between 16mm and 50mm. Zinc plated and gold passivate.

£10 (£11.75 inc vat)



M6 NUT & BOLT PACK #N&BPAK6 415 PIECES Plain nuts, plain washers & Hex head set screws between 16mm and 50mm. Zinc plated and gold passivate.

£11 (£12.92 inc vat)



M8 NUT & BOLT PACK #N&BPAK8 220 PIECES Plain nuts, plain washers & Hex head set screws between 25mm and 75mm. Zinc plated and gold passivate.

£12 (£14.10 inc vat)



REMOTE SOLENOID #REMSOL Operates as a regular starter motor solenoid from the ignition key but also has a rubber shrouded push-button which will turn over your engine from the engine bay. Great for setting up your timing and other engine bay jobs. Size 95mm long x 60mm high. Two 5.5mm mounting holes @ 42mm centres. M8 main cable studs.

£30 (£35.25 inc vat)



NYLON TUBE #NYLHO8

8mm O.D. 1mm wall thickness.

£2 mtr (£TBA inc vat)



GASKET PAPER 1 sq Mtr #GASPAP1M 1 square metre of our gasket paper. Rolled. **£16** (£TBA inc vat)

LED DOMED LIGHTS 'E'11 marked. Size 56mm x 35mm oval. Surface mount through two 5mm holes at 29mm centres. Height above mounting surface 27mm. Lens snaps into black housing from the front. 300mm long flylead.

AMBER INDICATOR #IN012 £8 each (£9.40 inc vat)

CLEAR SIDE LIGHT #IN013 £12 each (£14.10 inc vat)



GLASSFIBRE *BATTERY BOX #BATBOX

Will accept a battery of maximum dimensions 250mm x 165mm x 230mm high. Nicely finished in red gel coat. Average glassfibre thickness 2.5mm. Moulded-in cable outlets will accept up to 11mm diameter cables. Four stainless screw and nut fixings securing lid. Box maximum dimensions 310mm x 235mm x 265mm high. Four feet moulded into base for fixing with underflush screws.

£33 (£38.77 inc vat)



DOWTY WASHER PACK #DOWTYPAK 27 pieces including 7 x M8, 6 x M10, 5 x M12, 2 x M14, 2 x M16, 2 x M18, 2 x M20, 1 x M22, 1 x M24. In a plastic storage box.

£10 (£11.75 inc vat)



RING AND FORK CRIMP TERMINAL PACK #R&FPAK 80 pieces including Ring Terminals between 5mm and 10mm and 5mm Fork terminals in Red, Yellow and Blue sizes.

In a plastic storage box. **£6** (£7.05 inc vat)



WLSFFG



RESISTOR PACK



INTERIOR LIGHT #RSVINTLT



FRONT SPOT/ DRIVING LTS. #RSVFS



ELECTRONIC FLASHER RELAY



OVAL LED ROCK-ER SWITCHES WITH SYMBOLS
£4 each (£4.70 inc vat)

